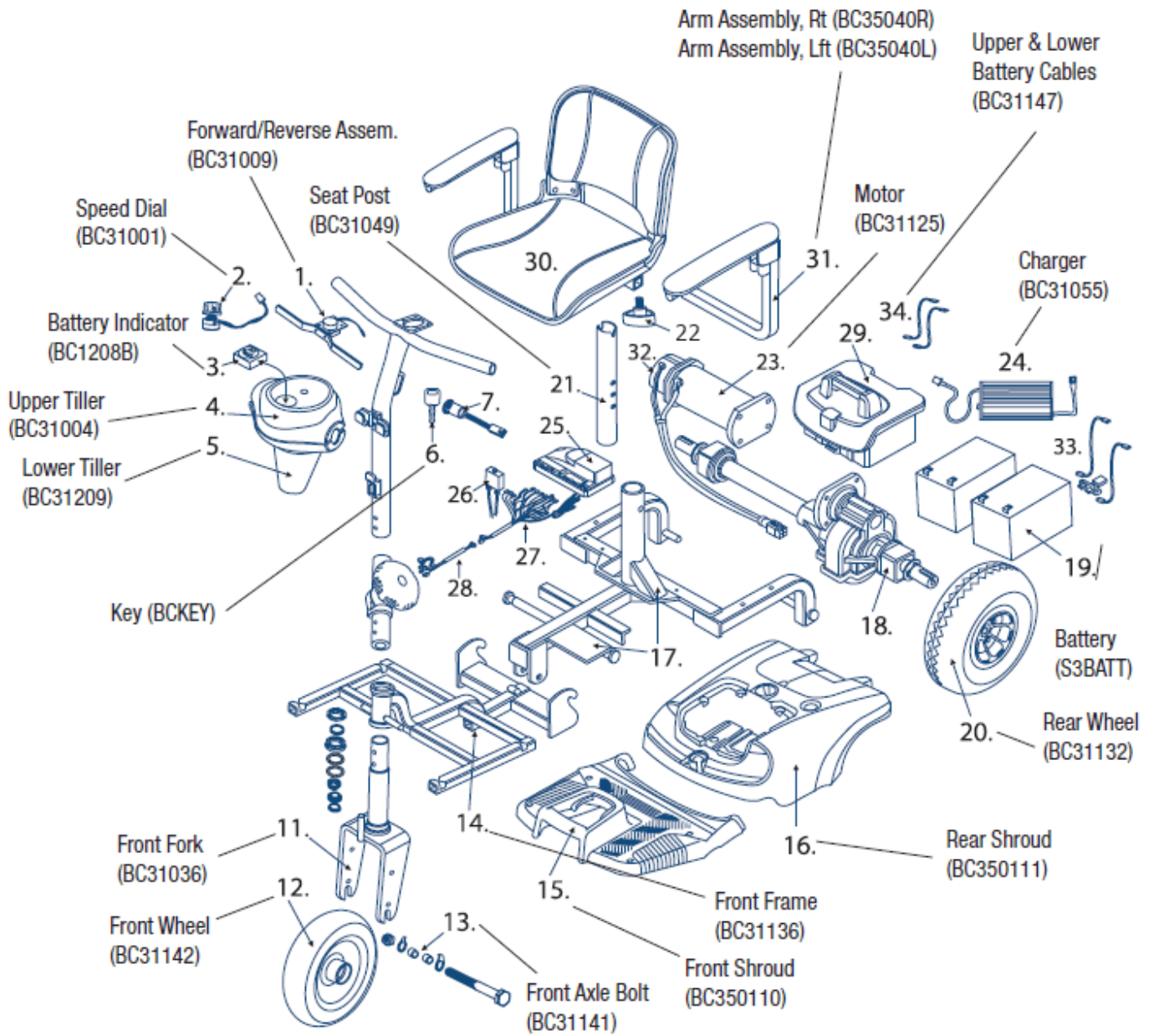


BOBCAT™ 3 WHEEL PARTS DIAGRAM



- | | | | |
|------------------------------|----------|------------------------------|---------|
| 7. Key Switch | BC1006 | Battery | |
| 17. Rear Frame | BC31135 | Case Only | BC31140 |
| 18. Transaxle w/o Motor | BC350112 | 33. Battery Harness w/Jumper | BC31068 |
| 22. Arm Rest Knob | S31052 | | |
| 25. Controller | BC31008 | | |
| 26. Circuit Breaker | BC20ABC | | |
| 27. Front Wire Harness | BC31048 | | |
| 28. Rear Wire Harness | BC31058 | | |
| 29. Battery Case w/Batteries | BC31133 | | |